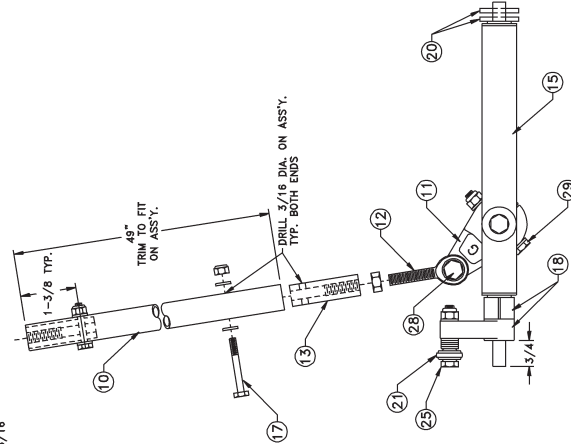
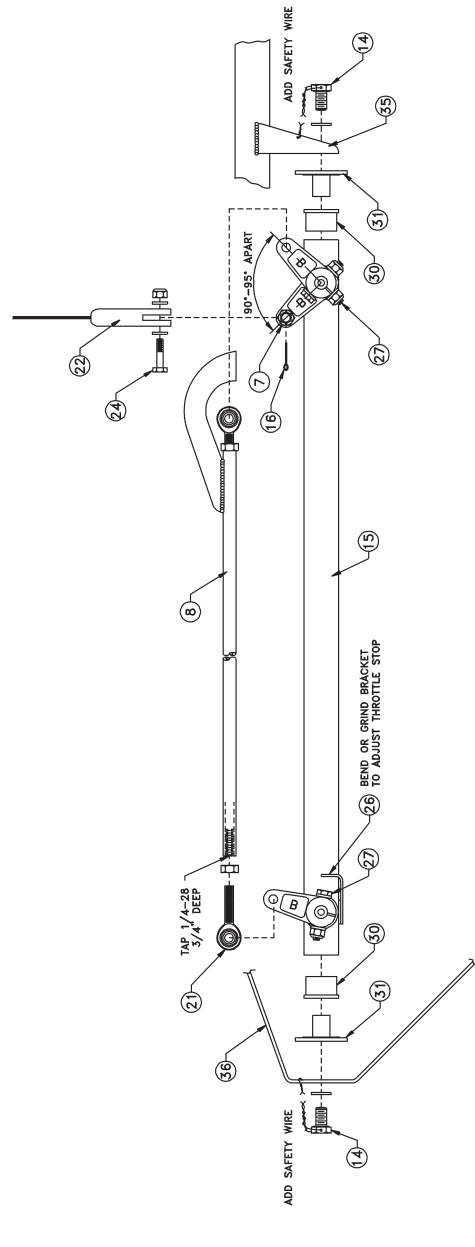
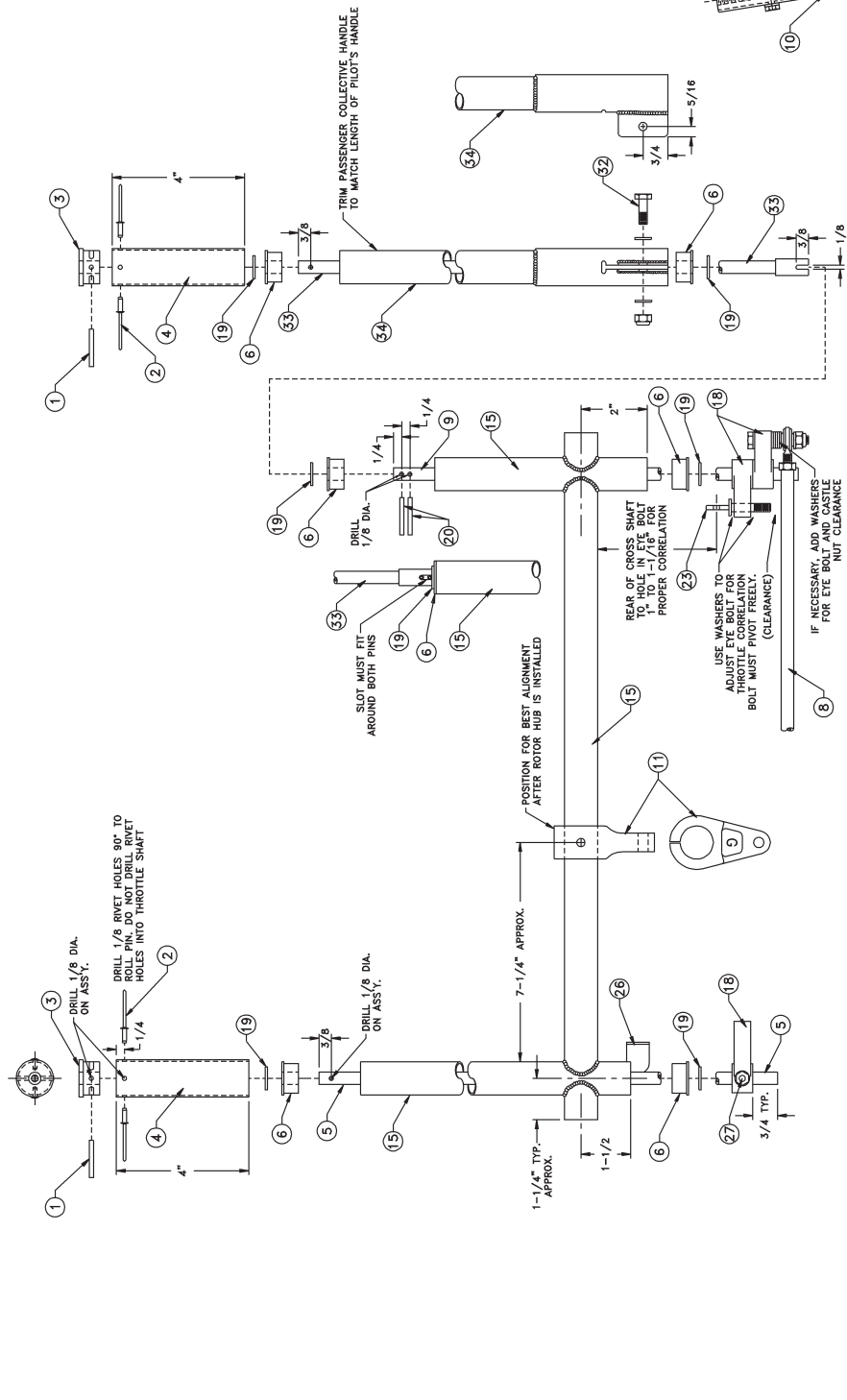


REF. NO.	PART NO.	PART NAME	QTY.
1.	E00-5102	1/8 X 1-1/8 ROLL PIN	2
2.	E00-6202	1/8 X 1/4 STEEL POP RIVET	4
3.	E15-6120	END PLUG	2
4.	E15-6120	PILOT THROTTLE SHAFT	1
5.	E15-6110	NYLON THROTTLE SHAFT	1
6.	E15-6110	NYLON THROTTLE SHAFT BUSHING	6
7.	E00-3400	1/4 CASTLE NUT FOR WELDMENT	1
8.	E15-3170	TRANSFER SHAFT	1
9.	E49-1400	ELASTOMERIC CONTROL ROD	1
10.	E15-1230	CONTROL ROD END	2
11.	E15-1230	9/16 X 1/8 MALE ROD END	2
12.	E00-2501	BOLT 5/16 X 3/2 DRILLED HEAD	2
13.	E15-6130	COLLECTIVE CONTROL END PLUG	2
14.	E00-5000	1/16 X 3/4 COTTER PIN	2
15.	E00-5000	1/16 X 3/4 COTTER PIN	2
16.	E00-5000	1/16 X 3/4 COTTER PIN	2
17.	E00-2305	BOLT 3/16 X 1-1/8	2
18.	E00-2305	BOLT 3/16 X 1-1/8	2
19.	E00-2305	BOLT 3/16 X 1-1/8	2
20.	E00-5101	1/8 X 3/4 ROLL PIN	2
21.	E15-1150	1/4 MALE ROD END	2
22.	E00-4600	CONSOLE ARM	6
23.	E00-2419	1/4" EYE BOLT	2
24.	E00-2304	BOLT 3/16 X 7/8	1
25.	E00-2407	ROD END STOP	2
26.	E00-2506	BOLT 3/16 X 1-1/4	3
27.	E00-2514	BOLT 5/16 X 1-3/4	1
28.	E00-2506	BOLT 3/16 X 1-1/4	3
29.	E15-1190	NYLON PIVOT BUSHING	2
30.	E15-6131	CROSS SHAFT MOUNT BUSHING	2
31.	E00-2400	BOLT 1/4 X 3/8 WELDMENT	2
32.	E15-9011	PASSENGER COLLECTIVE HANDLE	1
33.	E15-9011	PASSENGER COLLECTIVE HANDLE	1
34.	E12-3160	INSIDE COLLECTIVE BKT (ON AIRFRAME)	1
35.	E12-3170	OUTSIDE COLLECTIVE BKT (ON AIRFRAME)	1
36.	E12-3170	OUTSIDE COLLECTIVE BKT (ON AIRFRAME)	1



ROTORWAY INTERNATIONAL  
 CHANDLER, ARIZONA  
 SCALE: NONE APPROVED BY: \_\_\_\_\_  
 DRAWN BY: WAR  
 PARTS: 6-26-9E  
 REVISED: 1-25-01  
 COLLECTIVE CONTROL  
 DRAWING NUMBER: E15-2000-2

1-25-01 REVISION 2: COLLECTIVE HANDLE (34)  
 3-24-99 REVISION 1: ADD BOLT DIMENSION (33)